

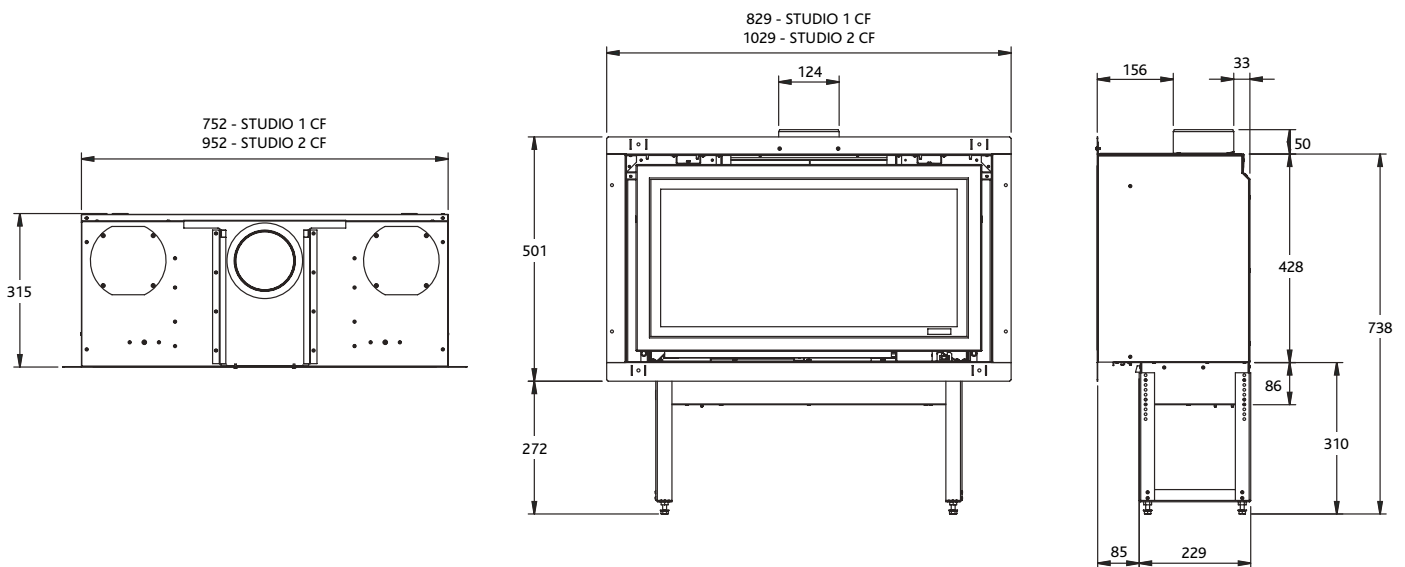
PRODUCT DIMENSIONS

IMPORTANT

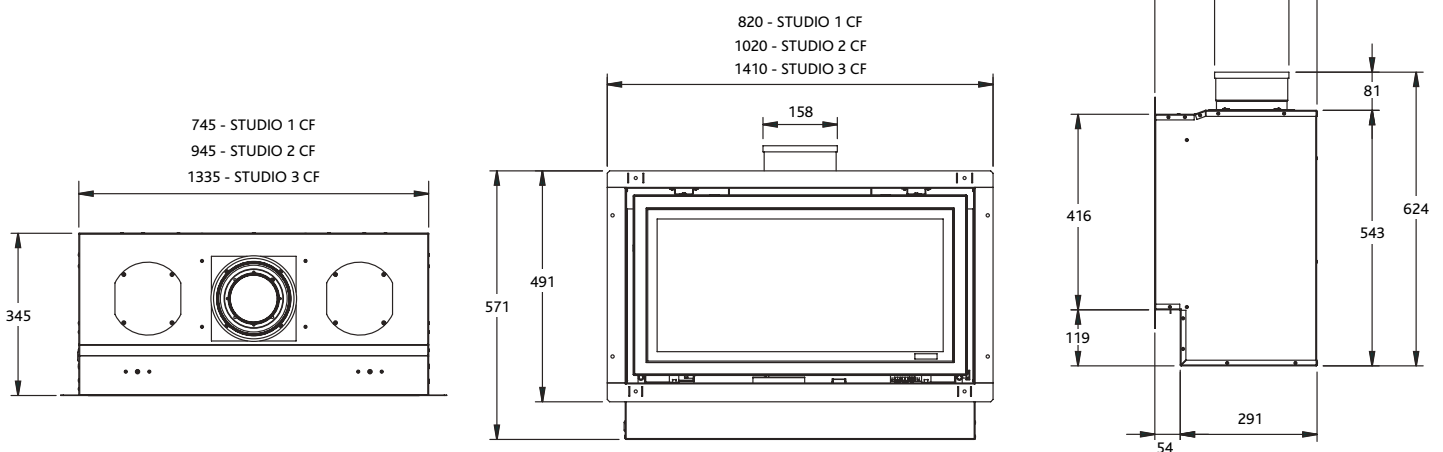
The dimensional information given below is to assist you in your choice of appliance. It is not intended to provide all the information that may be required for installation purposes. This can be obtained from your retailer or by viewing/downloading the full installation manuals.

GLASS FRONTED STUDIO FIRES

CONVENTIONAL FLUE



BALANCED FLUE



Frame Sizes (mm)	Studio 1			Studio 2			Studio 3		
	W	H	D	W	H	D	W	H	D
Bauhaus Con. Flue	860	534	28	1060	534	28	-	-	-
Bauhaus Bal. Flue	850	524	28	1050	524	28	1440	524	28
Profil Con. Flue	846	520	13	1046	520	13	-	-	-
Profil Bal. Flue	836	510	13	1036	510	13	1426	510	13
Steel Con. Flue	1120	675	25	1320	675	25	-	-	-
Steel Bal. Flue	1120	675	25	1320	675	25	1740	675	25